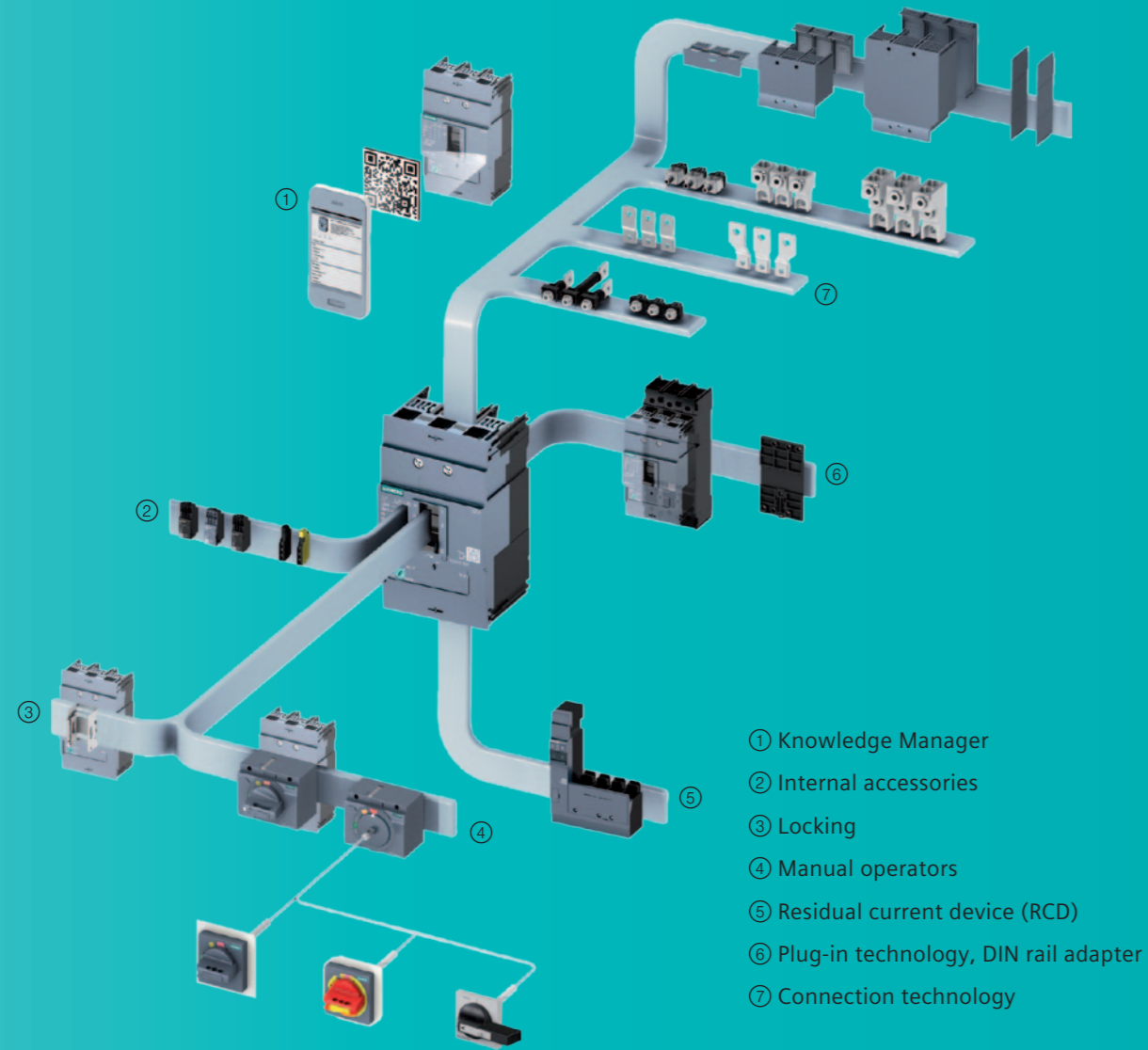


# 3VM moulded case circuit breakers and accessories in the system

Virtually endless combination for all applications



- ① Knowledge Manager
- ② Internal accessories
- ③ Locking
- ④ Manual operators
- ⑤ Residual current device (RCD)
- ⑥ Plug-in technology, DIN rail adapter
- ⑦ Connection technology

Accessories	Moulded case circuit breakers				
	3VM				
	100 A	160 A	250 A	400 A	630 A
Auxiliary switches and alarm switches					
Auxiliary releases					
Connection technology					
Plug-in technology					
Front mounted rotary operator					
Door mounted rotary operator					
Locking technology: padlock					
Residual current device, mounted on the side (4-pole)					
DIN rail adapter					

## Ordering Information

The order number is systematically structured and provides information about the most important features of the 3VM moulded case circuit breaker.

3VM		1	2	25	5	GE	3	2	0A	A0
Breaker type:	Thermomagnetic trip unit or Switch disconnecter	1								
Frame size:	100 A 160 A 250 A 400 A 630 A	0	1	2	3	4				
Rated current in A:	3VM10 3VM11 3VM12 3VM13 3VM14									
	$I_n = 8$	08								
	$I_n = 12.5$	92								
	$I_n = 16$ $I_n = 16$	96								
	$I_n = 20$ $I_n = 20$ $I_n = 200$	20								
	$I_n = 25$ $I_n = 25$ $I_n = 250$ $I_n = 250$	25								
	$I_n = 32$ $I_n = 32$ $I_n = 320$	32								
	$I_n = 40$ $I_n = 40$ $I_n = 400$ $I_n = 400$	40								
	$I_n = 50$ $I_n = 50$ $I_n = 500$	50								
	$I_n = 63$ $I_n = 63$ $I_n = 630$	63								
	$I_n = 80$ $I_n = 80$	80								
	$I_n = 100$ $I_n = 100$	10								
	$I_n = 125$	12								
	$I_n = 160$ $I_n = 160$	16								
Breaking capacity in kA @ 415 V AC:	3VM10 <sup>1)</sup> 3VM11 <sup>2)</sup> 3VM12 <sup>2)</sup> 3VM13 <sup>2)</sup> 3VM14 <sup>2)</sup>									
	3P 4P 1P <sup>4)</sup> 2P 3P 4P 3P 4P 3P 4P 3P 4P									
	Switch disconnecter									
	$I_{cu} = 16$	1								
	$I_{cu} = 25$	2								
	$I_{cu} = 25$ $I_{cu} = 25$ $I_{cu} = 25$ $I_{cu} = 25$	3								
	$I_{cu} = 36$ $I_{cu} = 36$ $I_{cu} = 36$ $I_{cu} = 36$	4								
	$I_{cu} = 55$ $I_{cu} = 55$ $I_{cu} = 55$ $I_{cu} = 55$	5								
Trip unit: characteristic curve, type	L I N									
	Switch disconnecter SD100 - - -	AA								
	Line protection TM210 fix fix Without 100 %	ED								
	TM220 adj fix Without 100 %	GD								
	Starter protection TM110M - fix Without	EE								
	TM120M - adj Without	GE								
		MG								
		MH								
Pole:	1-pole 2-pole 3-pole 4-pole (left side)	1 <sup>3)</sup>	2 <sup>3)</sup>	3	4					
Connection technology:	Lug terminals							2		
Auxiliary releases:	Without								0A	
Auxiliary / alarm switches:	Without									A0

<sup>1)</sup>  $I_{cs} = 50\% I_{cu}$  <sup>2)</sup>  $I_{cs} = 75\% I_{cu}$  <sup>3)</sup> only for 3VM11 <sup>4)</sup>  $I_{cu} @ 240VAC$

Published by  
Siemens Ltd.  
Smart Infrastructure  
Control Products  
R&D Technology Centre  
Kalwa Works  
Thane Belapur Road, Thane - 400 601  
Fax: +91 22 33265627  
For more information contact toll free 1800 209 1800  
E-mail: lvsgr-mktg.india@siemens.com

Article No. EMLP-T10199-00-7600  
3VM moulded case circuit breaker - Quick Selection Guide  
Dispo 25600 BR12181.0

Subject to changes and errors.  
The information given in this document only contains general descriptions and/or performance features which may not always specifically reflect those described, or which may undergo modification in the course of further development of the products. The requested performance features are binding only when they are expressly agreed upon in the concluded contract.



## 3VM moulded case circuit breaker

Efficient. Powerful.

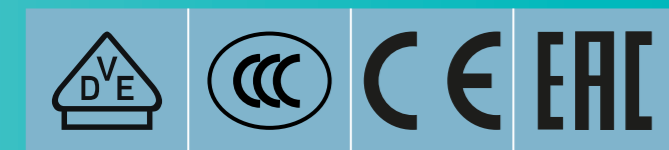
# Your optimum solution – Efficient and powerful.

The 3VM moulded case circuit breaker is ideally suited for applications in Infrastructure and Industry. In addition to a selection of basic units, the compact product portfolio also encompasses the essential accessories that perfectly cover all your requirements.

The perfect combination of price, performance and reliable quality makes the 3VM moulded case circuit breaker the ideal solution when it comes to the design, planning, installation and operation of your power distribution system.

The moulded case circuit breakers comply with the following standards.

Tested safety.



You need more information about 3VM moulded case circuit breakers?

Feel free to take advantage of our comprehensive support. From planning to commissioning to operation, we're happy to help you at any time.

Information	Planning/Ordering	Operation/Service	Training

## 3VM moulded case circuit breakers – Portfolio overview

Type	3VM10	3VM11	3VM11	3VM11	3VM12	3VM13	3VM14								
Number of poles	3 4	1	2	3 4	3 4	3 4	3 4								
Size	100 A	160 A	160 A	160 A	250 A	400 A	630 A								
Rated operational current $I_n$ at 50 °C ambient temperature	16 ... 100	16 ... 160	16 ... 160	16 ... 160	200 ... 250	320 ... 400	500 ... 630								
Rated operational voltage $U_e$ 50/60 Hz AC	500	415	415	500	500	500	500								
Breaking capacity	B	N	N	S	N	S	M	S	M	S	M	S	M		
<b>Short-circuit breaking capacities <math>I_{cu}</math> / <math>I_{cs}</math> rms value, acc. to IEC 60947-2</b>															
AC 220 V - 240 V / 50/60 Hz	25 12	36 18	25 18	36 27	36 27	55 41	36 27	55 41	85 63	55 41	85 63	55 41	85 63	55 41	85 63
AC 380 V - 415 V / 50/60 Hz	16 8	25 12	-	-	25 18	36 27	25 18	36 27	55 41	36 27	55 41	36 27	55 41	36 27	55 41
Suitable for DC applications	■	■	■	■	■	■	■	■	■	■	■	■	■	■	■
Use in IT networks	■	■	■	■	■	■	■	■	■	■	■	■	■	■	■
<b>Trip units</b>															
<b>Line protection acc. to IEC 60947-2</b>															
TM210: Fixed Thermal, Fixed Magnetic (FTFM)	■	■	■	■	■	■	■	■	■	■	■	■	■	■	■
TM220: Adjustable Thermal, Fixed Magnetic (ATFM)	-	-	-	-	■	■	■	■	■	■	■	■	■	■	■
<b>Starter protection acc. to IEC 60947-2</b>															
TM110M: Fixed Magnetic (FM)	-	-	-	-	■	-	-	-	-	-	-	-	-	-	-
TM120M: Adjustable Magnetic (AM)	-	-	-	-	■	■	■	■	■	■	■	■	■	■	■
<b>Switch disconnecter acc. to IEC 60947-3</b>															
SD100: Switch Disconnecter	-	-	-	-	■	■	■	■	■	■	■	■	■	■	■ <sup>1)</sup>
Standard connection technology	lug terminal	lug terminal	lug terminal	lug terminal	lug terminal	lug terminal	lug terminal	lug terminal	lug terminal	lug terminal	lug terminal	lug terminal	lug terminal	lug terminal	lug terminal
<b>Endurance</b>															
Mechanical	10 000	12 000	12 000	12 000	12 000	12 000	12 000	12 000	12 000	12 000	12 000	12 000	12 000	12 000	12 000
Electrical 380 V - 415 V	2 000	6 000	6 000	6 000	6 000	6 000	6 000	6 000	6 000	6 000	6 000	6 000	6 000	6 000	6 000

<sup>1)</sup> for 500A available in 2020